

# **VERDERAIR VA 80**

## **Air-Operated Diaphragm Pump**

859.0236

Rev. A  
EN

**Heavy-duty 3-inch pump with large flow paths for fluid transfer applications, including high-viscosity materials. For professional use only.**

**See page 4 for model information, including approvals**

*125 psi (0.86 MPa, 8.6 bar) Maximum Working Pressure, Aluminum or Stainless Steel Pumps with Aluminum Air Section*

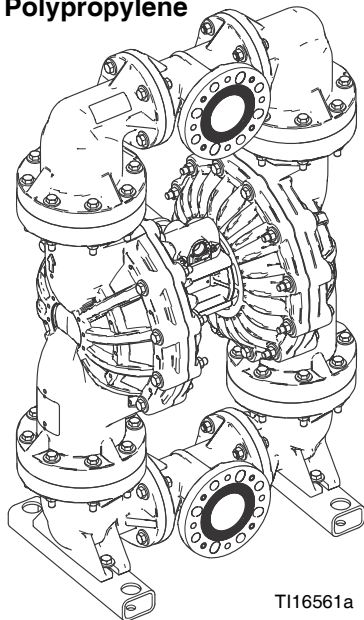
*100 psi (0.7 MPa, 6.9 bar) Maximum Working Pressure, Polypropylene or Stainless Steel Pumps with Polypropylene Air Section*



### **Important Safety Instructions**

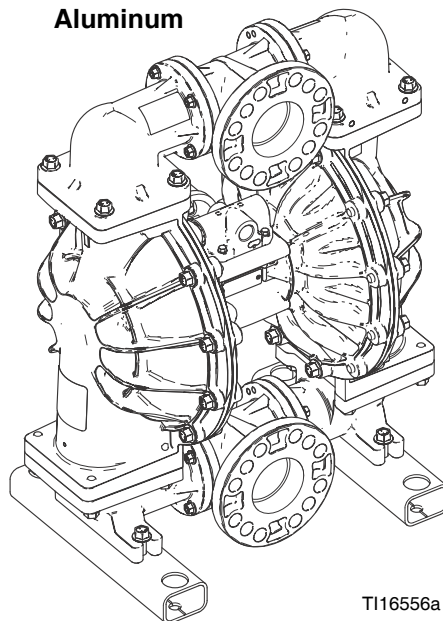
Read all warnings and instructions in this manual. Save these instructions.

**Polypropylene**



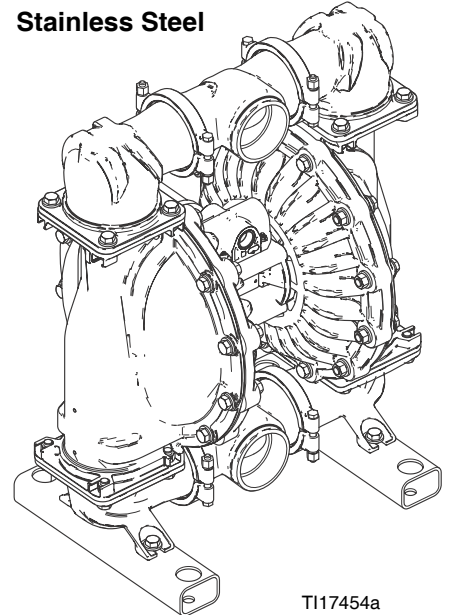
T116561a

**Aluminum**



T116556a

**Stainless Steel**



T117454a

# Contents

<b>Related Manuals</b> .....	<b>2</b>	<b>Operation</b> .....	<b>13</b>
<b>To Order a New Pump</b> .....	<b>3</b>	Pressure Relief Procedure .....	13
<b>To Order Parts for Your Existing Pump</b> .....	<b>3</b>	Flush the Pump Before First Use .....	13
Configuration Number Matrix .....	4	Starting and Adjusting the Pump .....	13
<b>Warnings</b> .....	<b>5</b>	Pump Shutdown .....	13
<b>Installation</b> .....	<b>8</b>	Maintenance Schedule .....	14
Overview .....	8	Lubrication .....	14
Tighten Fasteners .....	9	Tighten Threaded Connections .....	14
Mounting .....	9	Flushing and Storage .....	14
Grounding .....	10	Torque Instructions .....	15
Fluid Supply Line .....	10	<b>Aluminum Pump Dimensions</b> .....	<b>17</b>
Fluid Outlet Line .....	10	<b>Polypropylene Pump Dimensions</b> .....	<b>18</b>
Fluid Inlet and Outlet Ports .....	11	<b>Stainless Steel Pump Dimensions</b> .....	<b>19</b>
Air Line .....	11	<b>Performance Charts</b> .....	<b>20</b>
Air Exhaust Ventilation .....	12	<b>Technical Data</b> .....	<b>21</b>
		<b>Customer Services/Guarantee</b> .....	<b>25</b>

# Related Manuals

Manual	Description
859.0237	<b>VERDERAIR VA 80</b> Air-Operated Diaphragm Pump, Repair/Parts

## To Order a New Pump

**NOTE:** Do not configure and order a pump using only this manual. Work with your distributor or follow the steps below.

1. Go to [www.verderair.com](http://www.verderair.com). Select Verderair Series VA.
2. Click on Pump Configurator.
3. Use the configurator to specify a pump. As you work through, the configurator offers only those options that work with the pump you are building.

## To Order Parts for Your Existing Pump

1. Check the identification plate (ID) for the 17-digit Configuration Number of your pump.
2. Use the Configuration Number Matrix on the next page to understand which parts are described by each digit.
3. Refer to Parts Manual 859.0237 for the necessary part numbers.

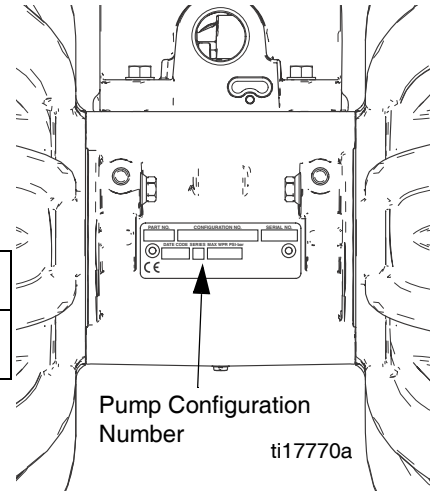
## Configuration Number Matrix

Check the identification plate (ID) for the 17-digit Configuration Number of your pump. Use the following matrix to define the components of your pump.

Sample Configuration Number: **VA80AA-SSTFNOTN00**

<b>VA80</b>	<b>A</b>	<b>A</b>	<b>SS</b>	<b>TF</b>	<b>NO</b>	<b>TN</b>	<b>00</b>
Pump Model	Fluid Section	Air Section	Seats	Balls	Diaphragms	Connections	Options

**NOTE:** Some combinations are not possible. Please check with your local supplier or the pump configurator on [www.verderair.com](http://www.verderair.com).



Pump Model	Fluid Section Material		Air Section Material		Check Valve Seats		Check Valve Balls	
	<b>VA80</b>	<b>A</b>	Aluminum	<b>A</b>	Aluminum	<b>AL</b>	Aluminum	<b>GE</b>
	<b>P</b>	Polypropylene	<b>P</b>	Polypropylene	<b>GE</b>	Geolast	<b>NR</b>	Polychloroprene Standard
	<b>S</b>	Stainless Steel			<b>PP</b>	Polypropylene	<b>NW</b>	Polychloroprene Weighted
					<b>SP</b>	Santoprene	<b>SP</b>	Santoprene
					<b>SS</b>	Stainless Steel	<b>TF</b>	PTFE

★ **VA80AA** and **VA80SA** are certified:


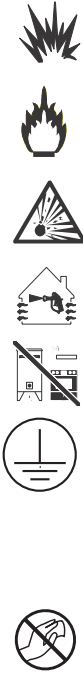



† **VA80PA**, **VA80PP**, and **VA80SP** are not ATEX certified.

Diaphragm		Connections		Options	
<b>GE</b>	Geolast	<b>FC</b>	Center Flange, DIN/ANSI	<b>00</b>	Standard
<b>NO</b>	Polychloroprene Overmolded	<b>TB</b>	Threaded BSP		
<b>PO</b>	PTFE/EPDM Overmolded	<b>TN</b>	Threaded NPT		
<b>SP</b>	Santoprene				
<b>TF</b>	PTFE/Santoprene Two-Piece				

# Warnings

The following warnings are for the setup, use, grounding, maintenance, and repair of this equipment. The exclamation point symbol alerts you to a general warning and the hazard symbols refer to procedure-specific risks. When these symbols appear in the body of this manual, refer back to these Warnings. Product-specific hazard symbols and warnings not covered in this section may appear throughout the body of this manual where applicable.

 <b>WARNING</b>	
	<p><b>FIRE AND EXPLOSION HAZARD</b></p> <p>Flammable fumes, such as solvent and paint fumes, in <b>work area</b> can ignite or explode. To help prevent fire and explosion:</p> <ul style="list-style-type: none"> <li>• Use equipment only in well ventilated area.</li> <li>• Eliminate all ignition sources; such as pilot lights, cigarettes, portable electric lamps, and plastic drop cloths (potential static arc).</li> <li>• Keep work area free of debris, including solvent, rags and gasoline.</li> <li>• Do not plug or unplug power cords, or turn power or light switches on or off when flammable fumes are present.</li> <li>• Ground all equipment in the work area. See <b>Grounding</b> instructions.</li> <li>• Use only grounded hoses.</li> <li>• Hold gun firmly to side of grounded pail when triggering into pail. Do not use pail liners unless they are antistatic or conductive.</li> <li>• <b>Stop operation immediately</b> if static sparking occurs or you feel a shock. Do not use equipment until you identify and correct the problem.</li> <li>• Keep a working fire extinguisher in the work area.</li> <li>• Route exhaust away from all ignition sources. If diaphragm ruptures, fluid may be exhausted with air.</li> </ul> <p>Static charge may build up on plastic parts during cleaning and could discharge and ignite flammable vapors. To help prevent fire and explosion:</p> <ul style="list-style-type: none"> <li>• Clean plastic parts only in a well ventilated area.</li> <li>• Do not clean with a dry cloth.</li> <li>• Do not operate electrostatic guns in equipment work area.</li> </ul>
	<p><b>PRESSURIZED EQUIPMENT HAZARD</b></p> <p>Fluid from the equipment, leaks, or ruptured components can splash in the eyes or on skin and cause serious injury.</p> <ul style="list-style-type: none"> <li>• Follow the <b>Pressure Relief Procedure</b> when you stop spraying/dispensing and before cleaning, checking, or servicing equipment.</li> <li>• Tighten all fluid connections before operating the equipment.</li> <li>• Check hoses, tubes, and couplings daily. Replace worn or damaged parts immediately.</li> </ul>



# WARNING

**EQUIPMENT MISUSE HAZARD**

Misuse can cause death or serious injury.

- Do not operate the unit when fatigued or under the influence of drugs or alcohol.
- Do not exceed the maximum working pressure or temperature rating of the lowest rated system component. See **Technical Data** in all equipment manuals.
- Use fluids and solvents that are compatible with equipment wetted parts. See **Technical Data** in all equipment manuals. Read fluid and solvent manufacturer's warnings. For complete information about your material, request MSDS from distributor or retailer.
- Do not leave the work area while equipment is energized or under pressure.
- Turn off all equipment and follow the **Pressure Relief Procedure** when equipment is not in use.
- Check equipment daily. Repair or replace worn or damaged parts immediately with genuine manufacturer's replacement parts only.
- Do not alter or modify equipment. Alterations or modifications may void agency approvals and create safety hazards.
- Make sure all equipment is rated and approved for the environment in which you are using it.
- Use equipment only for its intended purpose. Call your distributor for information.
- Route hoses and cables away from traffic areas, sharp edges, moving parts, and hot surfaces.
- Do not kink or over bend hoses or use hoses to pull equipment.
- Keep children and animals away from work area.
- Comply with all applicable safety regulations.

**THERMAL EXPANSION HAZARD**

Fluids subjected to heat in confined spaces, including hoses, can create a rapid rise in pressure due to the thermal expansion. Over-pressurization can result in equipment rupture and serious injury.

- Open a valve to relieve the fluid expansion during heating.
- Replace hoses proactively at regular intervals based on your operating conditions.

**PRESSURIZED ALUMINUM PARTS HAZARD**





Use of fluids that are incompatible with aluminum in pressurized equipment can cause serious chemical reaction and equipment rupture. Failure to follow this warning can result in death, serious injury, or property damage.

- Do not use 1,1,1-trichloroethane, methylene chloride, other halogenated hydrocarbon solvents or fluids containing such solvents.
- Many other fluids may contain chemicals that can react with aluminum. Contact your material supplier for compatibility.

**PLASTIC PARTS CLEANING SOLVENT HAZARD**

Many solvents can degrade plastic parts and cause them to fail, which could cause serious injury or property damage.

- Use only compatible water-based solvents to clean plastic structural or pressure-containing parts.
- See **Technical Data** in this and all other equipment instruction manuals. Read fluid and solvent manufacturer's MSDSs and recommendations.

 <b>WARNING</b>	
	<p><b>TOXIC FLUID OR FUMES HAZARD</b></p> <p>Toxic fluids or fumes can cause serious injury or death if splashed in the eyes or on skin, inhaled, or swallowed.</p> <ul style="list-style-type: none"> <li>• Read MSDSs to know the specific hazards of the fluids you are using.</li> <li>• Route exhaust away from work area. If diaphragm ruptures, fluid may be exhausted into the air.</li> <li>• Store hazardous fluid in approved containers, and dispose of it according to applicable guidelines.</li> </ul>
	<p><b>BURN HAZARD</b></p> <p>Equipment surfaces and fluid that's heated can become very hot during operation. To avoid severe burns:</p> <ul style="list-style-type: none"> <li>• Do not touch hot fluid or equipment.</li> </ul>
	<p><b>PERSONAL PROTECTIVE EQUIPMENT</b></p> <p>Wear appropriate protective equipment when in the work area to help prevent serious injury, including eye injury, hearing loss, inhalation of toxic fumes, and burns. This equipment includes but is not limited to:</p> <ul style="list-style-type: none"> <li>• Protective eyewear, and hearing protection.</li> <li>• Respirators, protective clothing, and gloves as recommended by the fluid and solvent manufacturer.</li> </ul>

# Installation

## Overview

The Typical Installation shown in FIG. 1 is only a guide for selecting and installing system components. Contact your distributor for assistance in planning a system to suit your needs.

Reference letters in the text, for example (A), refer to the callouts in the figures.

### Key:

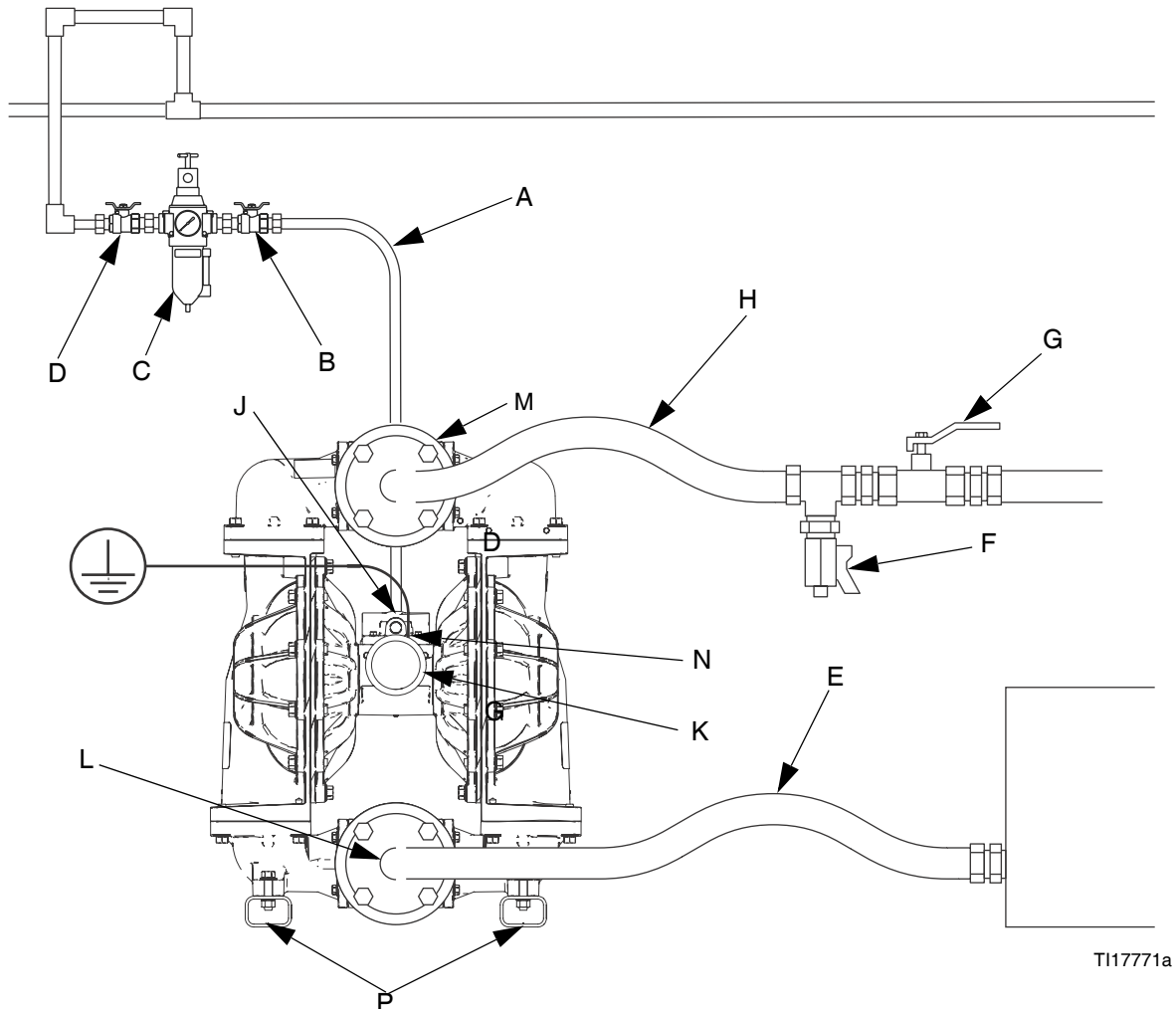
#### Accessories/Components Not Supplied

- A Air supply line
- B Bleed-type master air valve (may be required for your pump installation)
- C Air filter/regulator assembly
- D Master air valve (to isolate the filter/regulator for service)

- E Grounded, flexible fluid supply line
- F Fluid drain valve (may be required for your pump installation)
- G Fluid shutoff valve
- H Grounded, flexible fluid outlet line

#### System Components

- J Air inlet port (not visible)
- K Air outlet port and muffler
- L Fluid inlet port
- M Fluid outlet port
- N Ground screw (Aluminum and stainless steel only, see FIG. 3, page 10)
- P Mounting brackets



**FIG. 1. Typical Installation (aluminum pump shown)**



## Tighten Fasteners

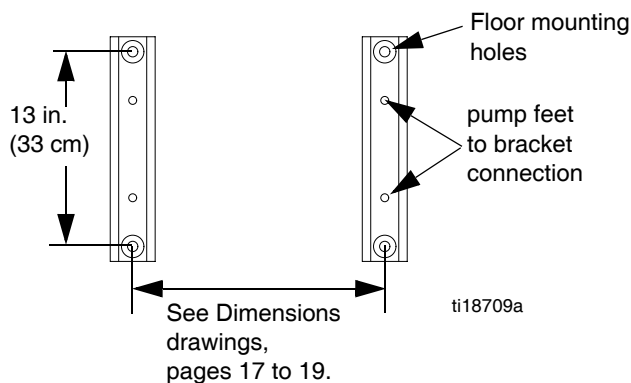
Before mounting and using the pump for the first time, check and retorquer all external fasteners. Follow **Torque Instructions**, page 15, or see the torque tag on your pump. After the first day of operation retorquer the fasteners.

3. Make sure the surface is flat and that the pump does not wobble.
4. For ease of operation and service, mount the pump so air valve, air inlet, fluid inlet, and fluid outlet ports are easily accessible.

## Mount the Pump




<p>To avoid serious injury or death from toxic fluid or fumes:</p> <ul style="list-style-type: none"> <li>• Ventilate to a remote area. The pump exhaust air may contain contaminants. See <b>Air Exhaust Ventilation</b> on page 12.</li> <li>• Never move or lift a pump under pressure. If dropped, the fluid section may rupture. Always follow the <b>Pressure Relief Procedure</b> on page 13 before moving or lifting the pump.</li> </ul>						

1. Verify that the bolts holding the pump feet to the brackets are tight. Torque to 54-61 Nm (40-45 ft-lb) for Polypropylene and Stainless Steel, and 75-81 N•m (55-60 ft-lb) for Aluminum.
2. Secure the brackets to the floor. Do not mount on any other surface. The pump must be mounted upright.



**FIG. 2. Mounting Diagram**

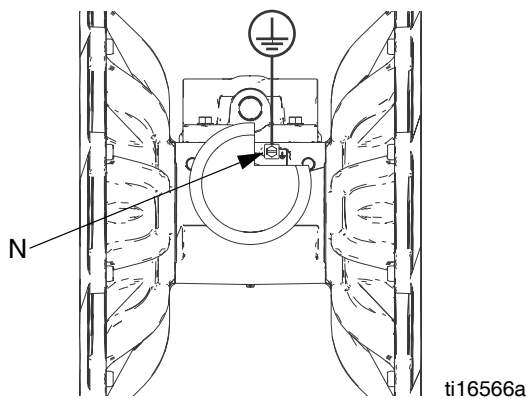
## Ground the System

						
---	---	---	--	--	--	--

The equipment must be grounded to reduce the risk of static sparking. Static sparking can cause fumes to ignite or explode. Grounding provides an escape wire for the electric current.

- Aluminum and stainless steel pumps have a ground screw. **Always** ground the entire fluid system as described below.
- Polypropylene pumps are **not** conductive and are not for use with flammable fluids.
- Follow your local fire codes.

**Pump:** See FIG. 3. Loosen the ground screw (N). Insert one end of a 12 ga. minimum ground wire behind the ground screw and tighten the screw securely. Connect the clamp end of the ground wire to a true earth ground. A ground wire and clamp, Part 819.0157, is available.



**FIG. 3. Grounding screw and wire**

**Air and fluid hoses:** Use only grounded hoses with a maximum of 500 ft (150 m) combined hose length to ensure grounding continuity.

**Air compressor:** Follow manufacturer's recommendations.

**Fluid supply container:** Follow local code.

**Solvent containers used when flushing:** Follow local code. Use only conductive metal containers, placed on a grounded surface. Do not place the container on a nonconductive surface, such as paper or cardboard, which interrupts grounding continuity.

Check your system electrical continuity after the initial installation, and then set up a regular schedule for checking continuity to be sure proper grounding is maintained.

## Fluid Supply Line

- Use grounded, flexible fluid hoses (E). See **Ground the System**, page 10.
- If the inlet fluid pressure to the pump is more than 25% of the outlet working pressure, the ball check valves will not close fast enough, resulting in inefficient pump operation. Excessive inlet fluid pressure also will shorten diaphragm life. Approximately 3-5 psi (0.02-0.03 MPa, 0.21-0.34 bar) should be adequate for most materials.
- For maximum suction lift (wet and dry), see **Technical Data**, page 21. For best results, always install the pump as close as possible to the material source. Minimize suction requirements to maximize pump performance.

## Fluid Outlet Line

- Use grounded, flexible fluid hoses (H). See **Ground the System**, page 10.
- Install a fluid drain valve (F) near the fluid outlet.
- Install a shutoff valve (G) in the fluid outlet line.

## Fluid Inlet and Outlet Ports

**NOTE:** Remove and rotate the center manifold(s) to change the orientation of inlet or outlet port(s). Follow **Torque Instructions** on page 15.

### Aluminum (VA80AA)

The fluid inlet and outlet manifolds each have a 3 in. ANSI/DIN center flange with either 3 in.-8 npt or 3 in.-11 bspt internal threads.

### Polypropylene (VA80PA, VA80PP)

The fluid inlet and outlet manifolds each have a 3 in. raised face ANSI/DIN center flange.

#### NOTICE




Use even and opposite torque to connect to the polypropylene manifold flange. Excessive uneven force can damage the flange.

### Stainless Steel (VA80SA, VA80SP)

The fluid inlet and outlet manifolds each have either 3 in. -8 npt or 3 in. -11 bspt ports.





## Air Line

1. Install an air regulator and gauge (C) to control the fluid pressure. The fluid stall pressure will be the same as the setting of the air regulator.
2. Locate a bleed-type master air valve (B) close to the pump and use it to relieve trapped air. Be sure the valve is easily accessible from the pump and located downstream from the regulator.

						
Trapped air can cause the pump to cycle unexpectedly, which could result in serious injury from splashing.						

3. Locate another master air valve (D) upstream from all air line accessories and use it to isolate them during cleaning and repair.
4. An air line filter (C) removes harmful dirt and moisture from the compressed air supply.
5. Install a grounded, flexible air hose (A) between the accessories and the 3/4 npt(f) pump air inlet.

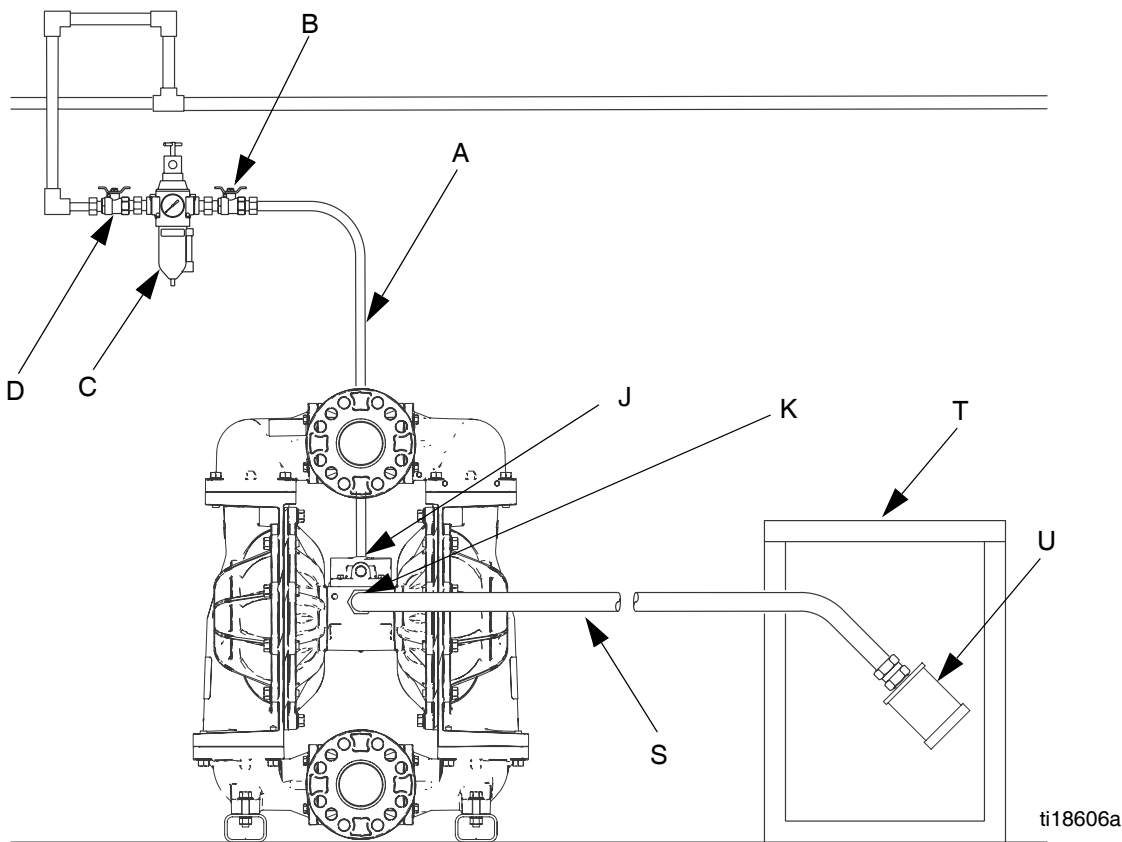
## Air Exhaust Ventilation

					
<p>If pumping flammable or toxic fluids, you must vent the exhaust away from people, animals, food handling areas, and all sources of ignition. Follow all applicable codes.</p>					

<b>NOTICE</b>
<p>The air exhaust port is 1 npt. Do not restrict the air exhaust port. Excessive exhaust restriction can cause erratic pump operation and poor diaphragm life.</p>

To provide a remote exhaust:

1. Remove the muffler (U) from the pump air exhaust port (K).
2. Install a grounded air exhaust hose (S) and connect the muffler (U) to the other end of the hose. The minimum size for the air exhaust hose is 1 in. (25 mm) ID. If a hose longer than 15 ft (4.57 m) is required, use a larger diameter hose. Avoid sharp bends or kinks in the hose.
3. Place a container (T) at the end of the air exhaust line to catch fluid in case a diaphragm ruptures. If the diaphragm ruptures, the fluid being pumped will exhaust with the air.



**Key:**

- |  |                                    |
|--|------------------------------------|
| A Air supply line  | J Air inlet port (not visible)     |
| B Bleed-type master air valve (may be required for your pump installation) | K Air outlet port                  |
| C Air filter/regulator assembly  | S Grounded air exhaust hose        |
| D Master air valve (for accessories)                                       | T Container for remote air exhaust |
|  | U Muffler                          |

**FIG. 4. Vent exhaust air**

# Operation

## Pressure Relief Procedure



Follow the Pressure Relief Procedure whenever you see this symbol.



This equipment stays pressurized until pressure is relieved manually. To help prevent serious injury from pressurized fluid, such as splashing in the eyes or on skin, follow the Pressure Relief Procedure whenever you stop pumping and before you clean, check, or service the equipment.

1. Shut off the air supply to the pump.
2. Open the dispensing valve, if used.
3. Open the fluid drain valve (F) to relieve fluid pressure. Have a container ready to catch the drainage.

## Flush the Pump Before First Use

The pump was tested in water. If water could contaminate the fluid you are pumping, flush the pump thoroughly with a compatible solvent. See **Flushing and Storage**, page 14.

## Starting and Adjusting the Pump

1. Be sure the pump is properly grounded. Refer to **Ground the System** on page 10.
2. Check fittings to be sure they are tight. Use a compatible liquid thread sealant on male threads. Tighten fluid inlet and outlet fittings securely.
3. Place the suction tube (if used) in fluid to be pumped.

**NOTE:** If fluid inlet pressure to the pump is more than 25% of outlet working pressure, the ball check valves will not close fast enough, resulting in inefficient pump operation.

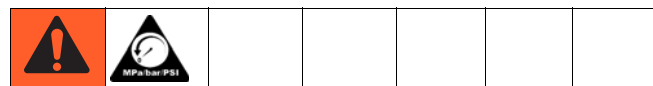
<b>NOTICE</b>
Excessive fluid inlet pressure can reduce diaphragm life.

4. Place the end of the fluid hose into an appropriate container.
5. Close the fluid drain valve (F).
6. Back out the air regulator knob (C), and open all bleed-type master air valves (B, D).
7. If the fluid hose has a dispensing device, hold it open.
8. Slowly increase air pressure with the air regulator until the pump just starts to cycle. Allow the pump to cycle slowly until all air is pushed out of the lines and the pump is primed.

**NOTE:** Use lowest possible air pressure to prime, just enough to cycle the pump. If the pump does not prime as expected, turn air pressure **DOWN**.

9. If you are flushing, run the pump long enough to thoroughly clean the pump and hoses.
10. Close the bleed-type master air valve (B).

## Pump Shutdown



At the end of the work shift and before you check, adjust, clean or repair the system, follow **Pressure Relief Procedure**, page 13.

# Maintenance

## Maintenance Schedule

Establish a preventive maintenance schedule based on the pump's service history. Scheduled maintenance is especially important to prevent spills or leakage due to diaphragm failure.

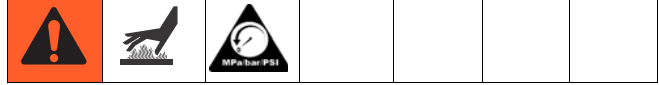
## Lubrication

The pump is lubricated at the factory. It is designed to require no further lubrication for the life of the packings. There is no need to add an inline lubricator under normal operating conditions.

## Tighten Threaded Connections

Before each use, check all hoses for wear or damage and replace as necessary. Check to be sure all threaded connections are tight and leak-free. Check mounting bolts. Check fasteners. Tighten or retorque as necessary. Although pump use varies, a general guideline is to retorque fasteners every two months. See **Torque Instructions**, page 15.

## Flushing and Storage



- Flush before fluid can dry in the equipment, at the end of the day, before storing, and before repairing equipment.
- Flush at the lowest pressure possible. Check connectors for leaks and tighten as necessary.
- Flush with a fluid that is compatible with the fluid being dispensed and the equipment wetted parts.
- Always flush the pump and relieve the pressure before storing it for any length of time.

### NOTICE

Flush the pump often enough to prevent the fluid you are pumping from drying or freezing in the pump and damaging it. Use a compatible solvent.

## Torque Instructions

See FIG. 5 for fluid cover and air valve fasteners. See FIG. 6 for manifold fasteners.

**NOTE:** Fluid cover and manifold fasteners on the polypropylene pumps have a thread-locking adhesive patch applied to the threads. If this patch is excessively worn, the fasteners may loosen during operation. Replace screws with new ones or apply medium-strength (blue) Loctite or equivalent to the threads.

If fluid cover or manifold fasteners have been loosened, it is important to torque them using the following procedure to improve sealing.

**NOTE:** Always completely torque fluid covers, then torque the manifold pieces together, then torque the assembled manifolds to the fluid covers.

Start all fluid cover screws a few turns. Then turn down each screw just until head contacts cover. Then turn each screw by 1/2 turn or less working in a crisscross pattern to specified torque. Repeat for manifolds.

### Fluid cover fasteners:

**Polypropylene and Stainless Steel:** 54-61 N•m (40-45 ft-lb)

**Aluminum:** 75-81 Nm (55-60 ft-lb)

### Manifold fasteners:

**Polypropylene:** 54-61 Nm (40-45 ft-lb)

**Aluminum:**

**Refs 1-8:** 15-28 Nm (11-21 ft-lb)

**Refs 9-16:** 75-81 Nm (55-60 ft-lb)

**Stainless Steel:**

**Refs 1-4:** 12-13 Nm (110-120 in-lb)

**Refs 5-12:** 54-61 Nm (40-45 ft-lb)

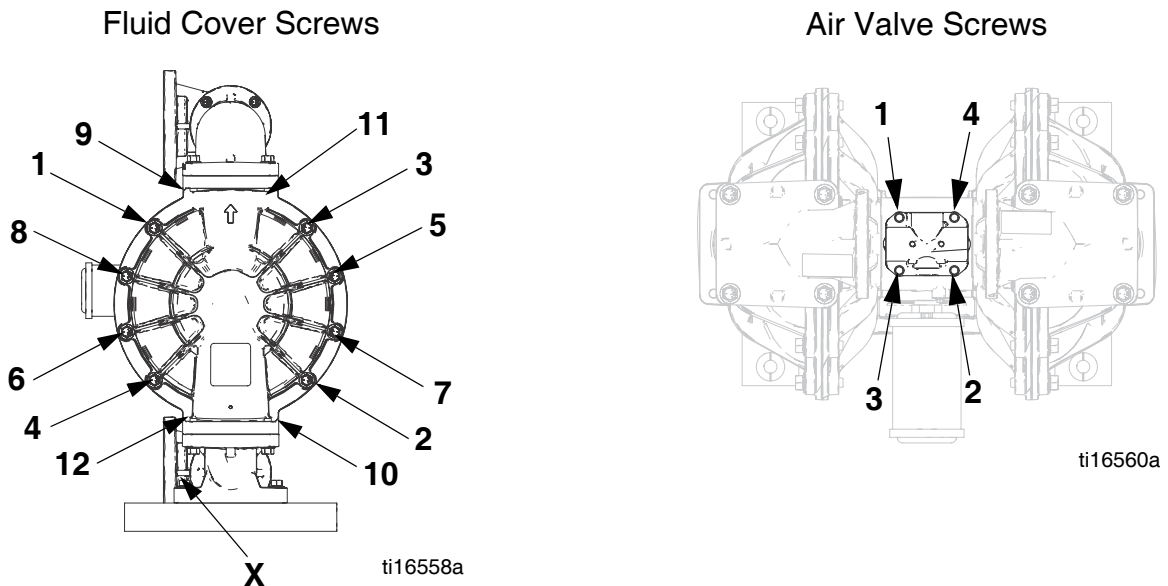
Retorque the air valve fasteners in a crisscross pattern to specified torque.

### Air Valve fasteners

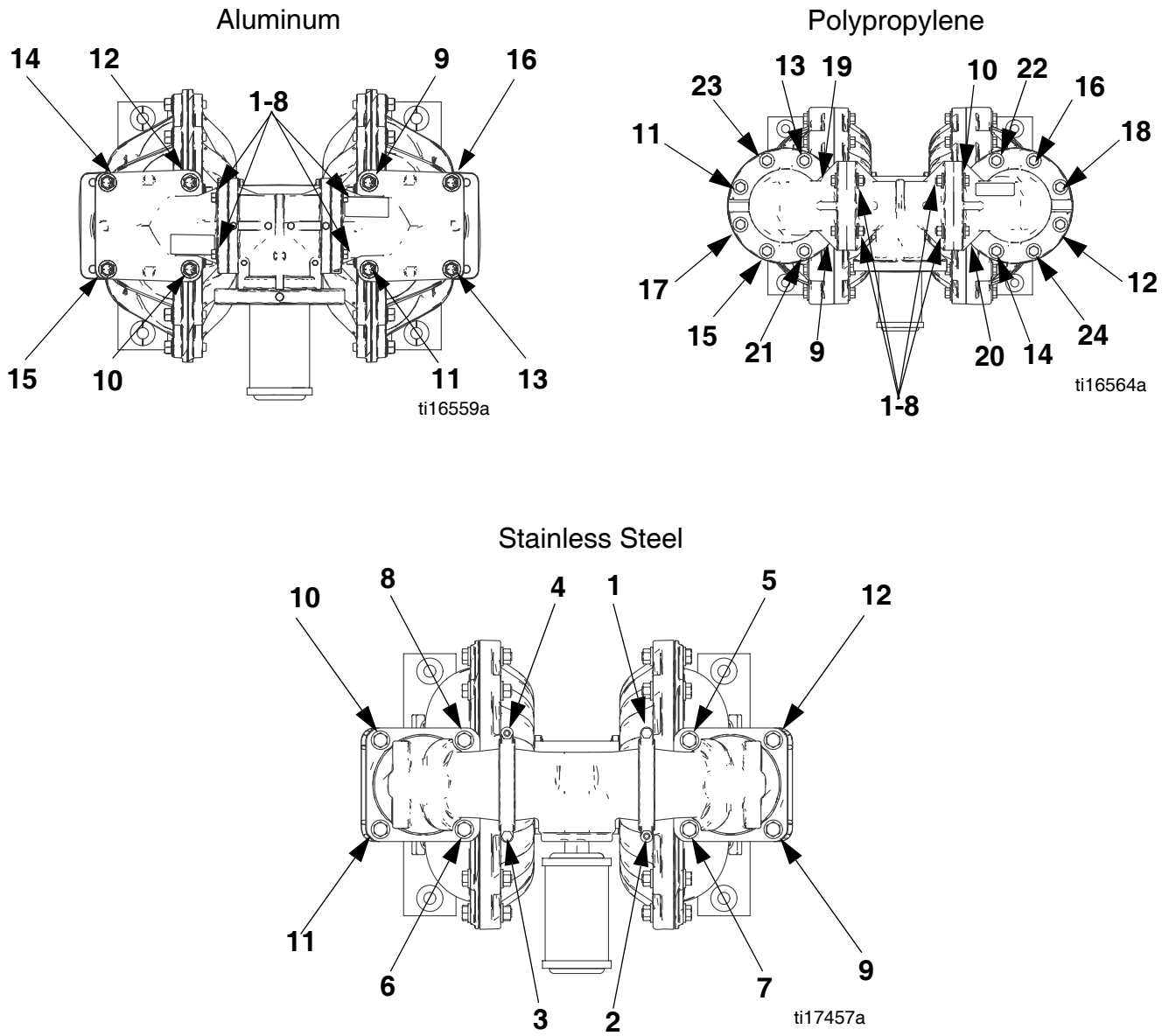
**Plastic Center Sections:** 5-6.2 Nm (45-55 in-lb)

**Aluminum Center Sections:** 8.5-9.6 Nm (75-85 in-lb)

Also check and tighten the nuts or bolts (X) holding the manifold feet to the mounting brackets.



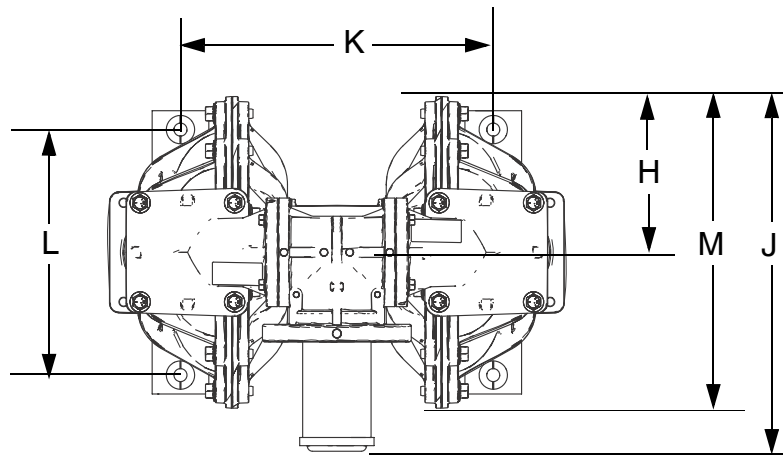
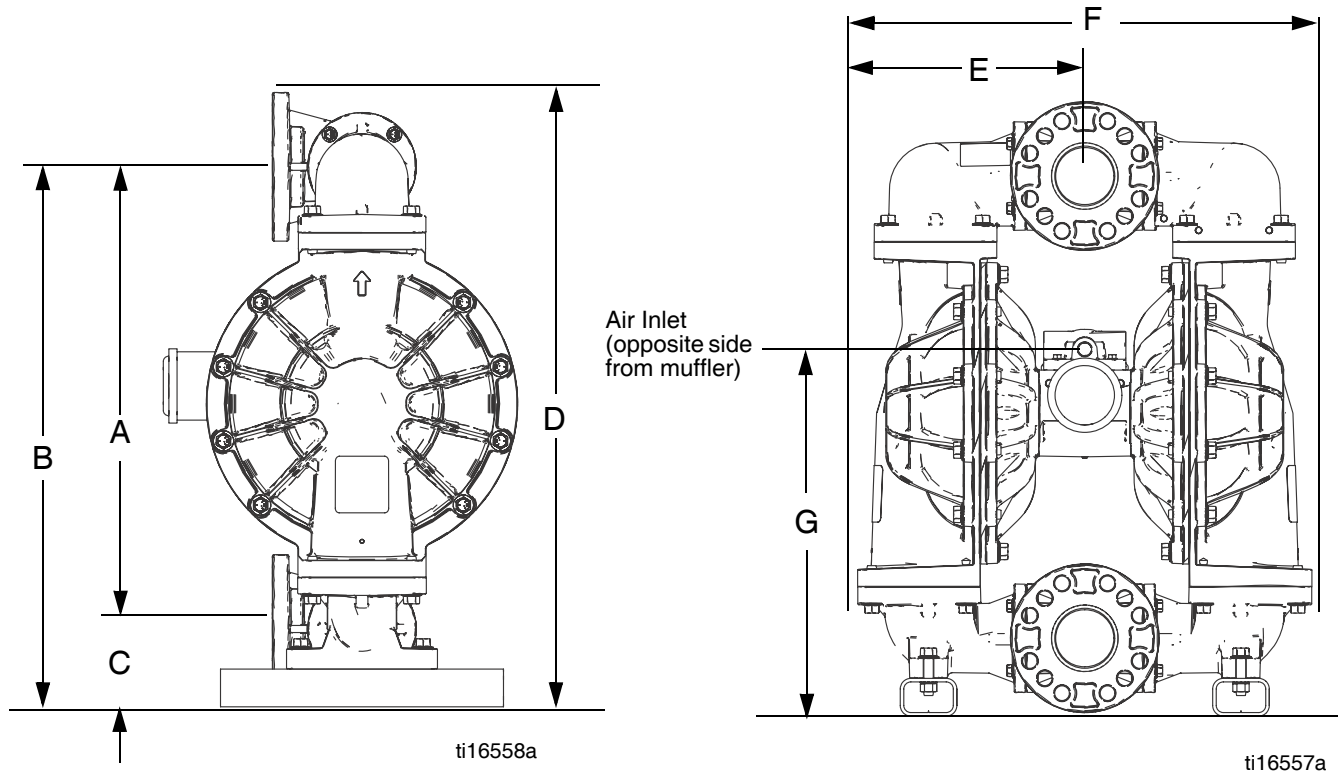
**FIG. 5. Torque instructions, Fluid Covers and Air Valve Fasteners (all models, aluminum shown)**



**FIG. 6. Torque Instructions - Manifold Fasteners**



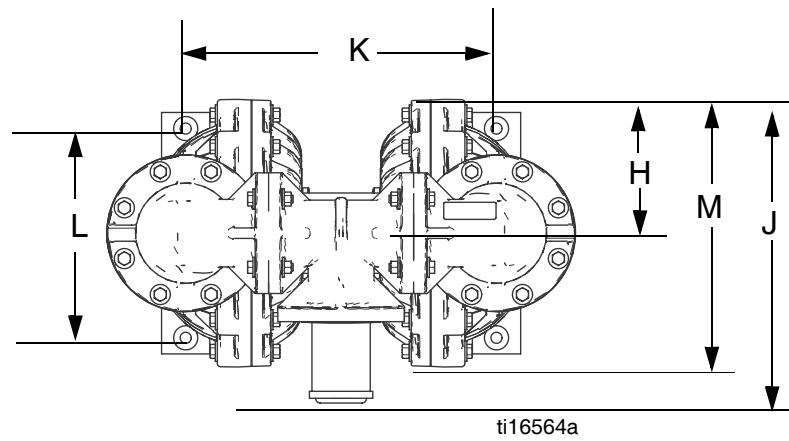
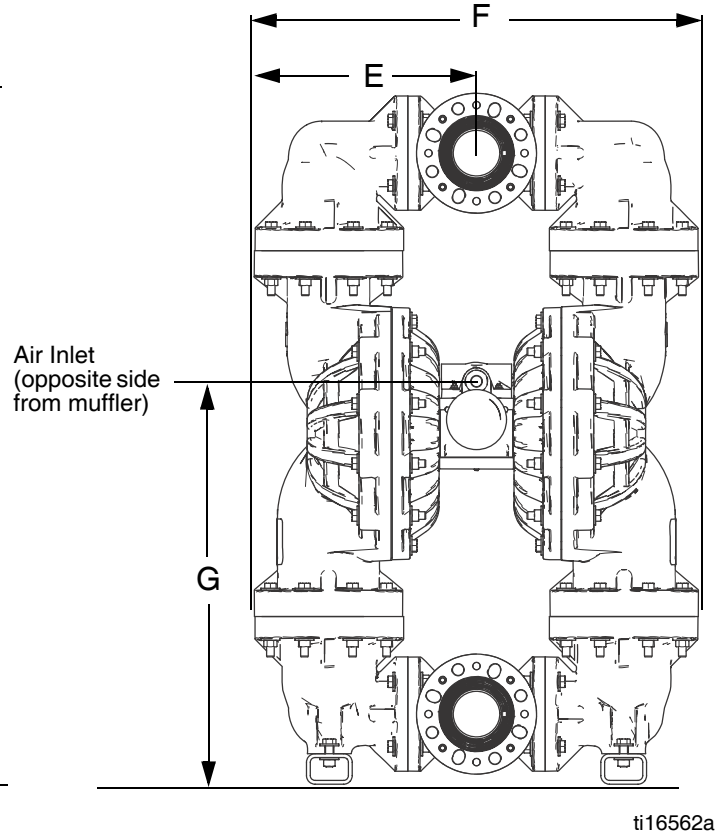
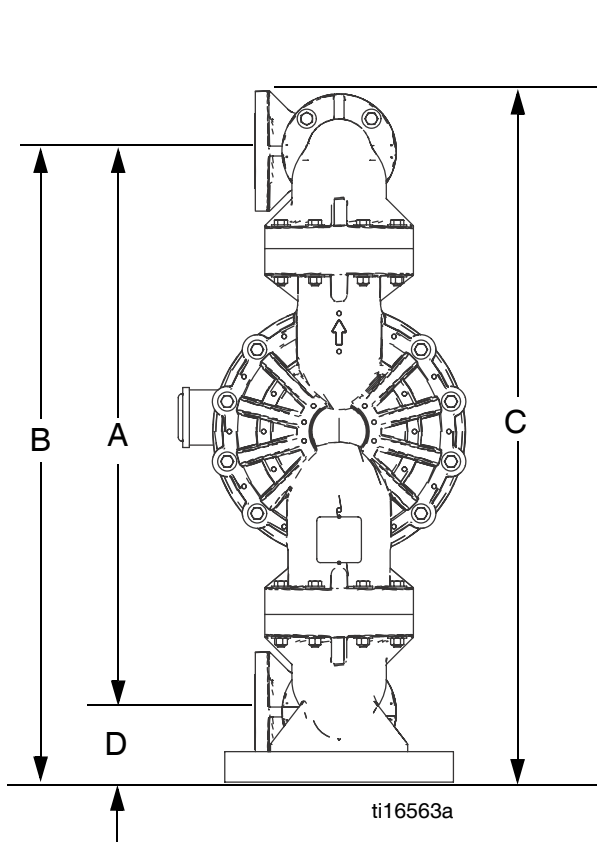
# Aluminum Pump Dimensions



<b>A</b>	62.2 cm (24.50 in.)
<b>B</b>	72.7 cm (28.63 in.)
<b>C</b>	10.5 cm (4.13 in.)
<b>D</b>	82.7 cm (32.56 in.)
<b>E</b>	30.6 cm (12.04 in.)
<b>F</b>	61.2 cm (24.08 in.)

<b>G</b>	50.0 cm (19.70 in.)
<b>H</b>	21.0 cm (8.25 in.)
<b>J</b>	47.8 cm (18.8 in.)
<b>K</b>	42.1 cm (16.56 in.)
<b>L</b>	33.0 cm (13.00 in.)
<b>M</b>	41.9 cm (16.5 in.)

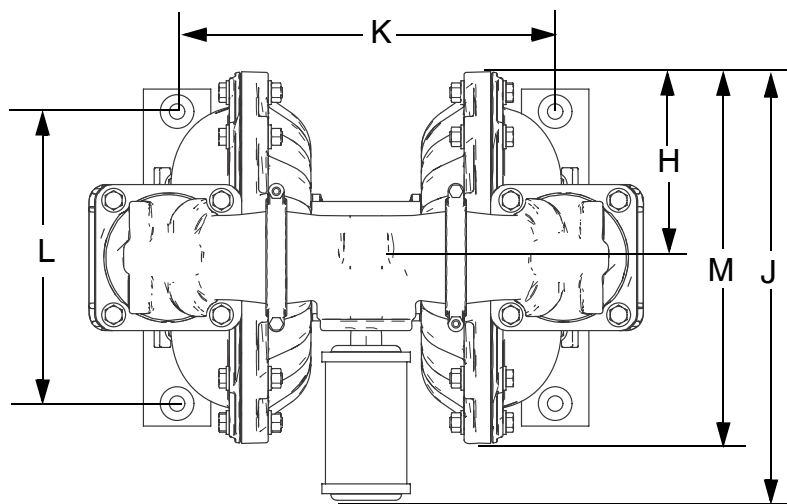
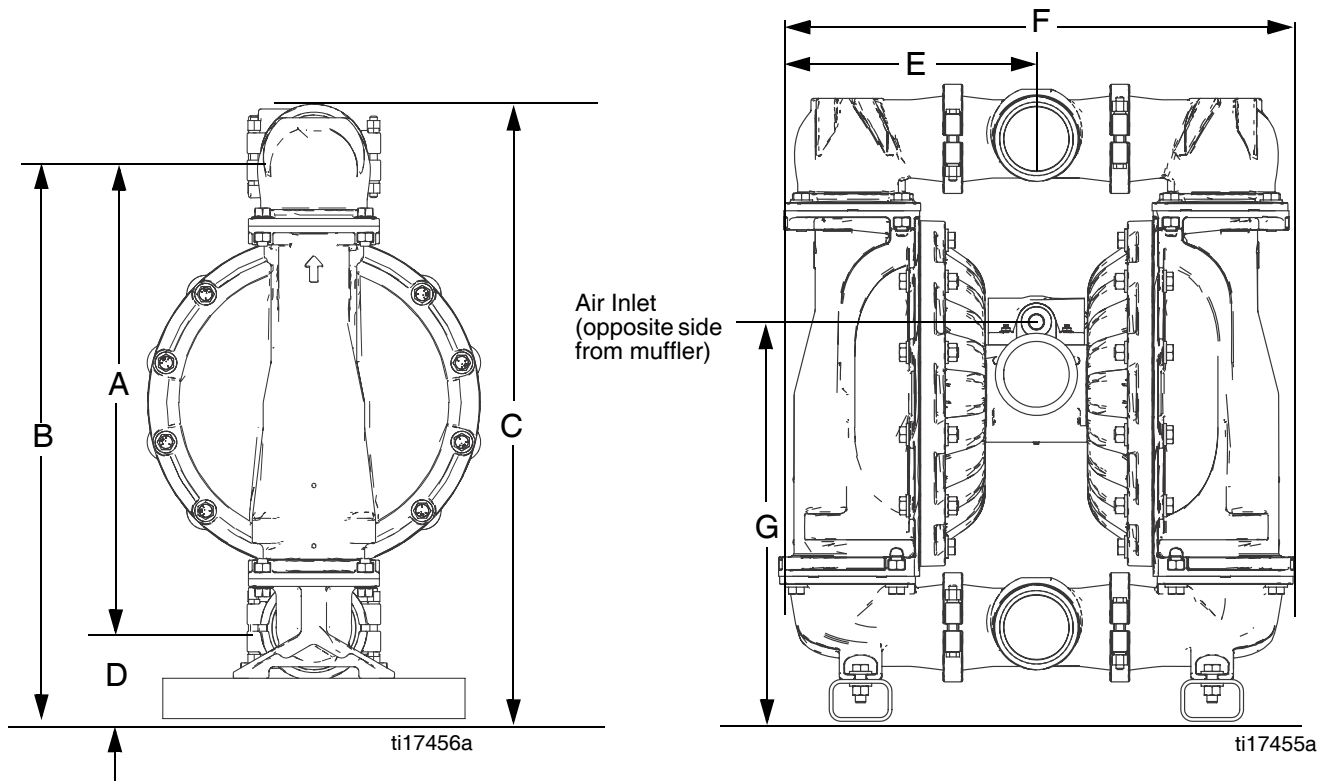
# Polypropylene Pump Dimensions



<b>A</b>	93.5 cm (36.80 in.)
<b>B</b>	105.2 cm (41.40 in.)
<b>C</b>	115.2 cm (45.34 in.)
<b>D</b>	11.7 cm (4.60 in.)
<b>E</b>	37.0 cm (14.56 in.)
<b>F</b>	74.0 cm (29.12 in.)

<b>G</b>	67.8 cm (26.69 in.)
<b>H</b>	21.1 cm (8.30 in.)
<b>J</b>	47.9 cm (18.87 in.)
<b>K</b>	49.0 cm (19.31 in.)
<b>L</b>	33.0 cm (13.00 in.)
<b>M</b>	42.1 cm (16.58 in.)

# Stainless Steel Pump Dimensions



<b>A</b>	60.5 cm (23.8 in.)
<b>B</b>	70.8 cm (27.88 in.)
<b>C</b>	77.5 cm (30.5 in.)
<b>D</b>	11.4 cm (4.5 in.)
<b>E</b>	31.3 cm (12.34 in.)
<b>F</b>	62.7 cm (24.68 in.)

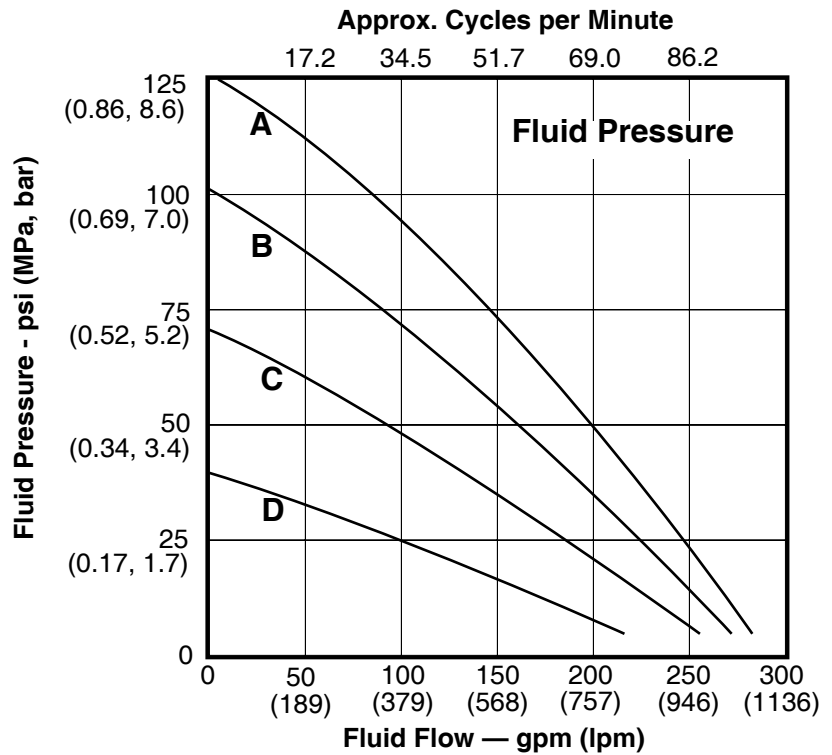
<b>G</b>	49.2 cm (19.38 in.)
<b>H</b>	21.0 cm (8.25 in.)
<b>J</b>	48.4 cm (19.05 in.)
<b>K</b>	42.7 cm (16.83 in.)
<b>L</b>	33.0 cm (13.0 in.)
<b>M</b>	41.9 cm (16.5 in.)

# Performance Charts

**Test Conditions:** Pump tested in water with inlet submerged

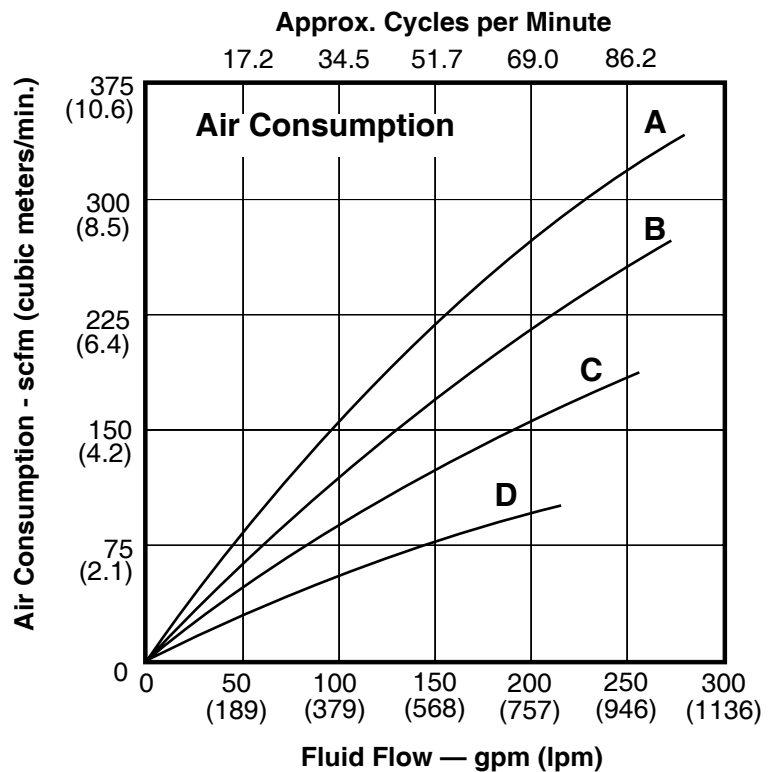
### Operating Air Pressure

- A**  
125 psi (0.83 MPa, 8.3 bar)
- B**  
100 psi (0.7 MPa, 7.0 bar)
- C**  
70 psi (0.48 MPa, 4.8 bar)
- D**  
40 psi (0.28 MPa, 2.8 bar)



### How to Read the Charts

1. Locate fluid flow rate along bottom of chart.
2. Follow vertical line up to intersection with selected operating air pressure curve.
3. Follow left to scale to read **fluid outlet pressure** (top chart) or **air consumption** (bottom chart).



# Technical Data

Verderair VA 80		
	US	Metric
<b>Maximum fluid working pressure</b>		
Aluminum or Stainless Steel with Aluminum Center Section	125 psi	0.86 MPa, 8.6 bar
Polypropylene or Stainless Steel with Polypropylene Center Section	100 psi	0.7 MPa, 7 bar
<b>Air pressure operating range**</b>		
Aluminum or Stainless Steel with Aluminum Center Section	20-125 psi	0.14-0.86 MPa, 1.4-8.6 bar
Polypropylene or Stainless Steel with Polypropylene Center Section	20-100 psi	0.14-0.7 MPa, 1.4-7 bar
<b>Air consumption</b>		
All pumps	90 scfm at 70 psi, 100 gpm	2.5 m <sup>3</sup> /min at 4.8 bar, 379 lpm
<b>Maximum air consumption*</b>		
Aluminum or Stainless Steel with Aluminum Center Section	335 scfm	9.5 m <sup>3</sup> /min
Polypropylene or Stainless Steel with Polypropylene Center Section	275 scfm	7.8 m <sup>3</sup> /min
<b>Maximum free-flow delivery*</b>		
Standard diaphragms	300 gpm at 125 psi	1135 lpm at 8.6 bar
Standard diaphragms	280 gpm at 100 psi	1059 lpm at 7 bar
Overmolded diaphragms	270 gpm at 125 psi	1022 lpm at 8.6 bar
Overmolded diaphragms	260 gpm at 100 psi	984 lpm at 7 bar
<b>Maximum Pump Speed*</b>		
Standard diaphragms	103 cpm at 125 psi	103 cpm at 8.6 bar
Standard diaphragms	97 cpm at 100 psi	97 cpm at 7 bar
Overmolded diaphragms	135 cpm at 125 psi	135 cpm at 8.6 bar
Overmolded diaphragms	130 cpm at 100 psi	130 cpm at 7 bar
<b>Maximum suction lift (varies widely based on ball/seat selection and wear, operating speed, material properties, and other variables)*</b>		
Dry	8 ft.	2.4 meters
Wet	28 ft.	8.5 meters
Recommended cycle rate for continuous duty	35-50 cpm	
Recommended cycle rate for circulation systems	20 cpm	
Maximum size pumpable solids	1/2 in.	13 mm
<b>Fluid flow per cycle**</b>		
Standard diaphragms	2.9 gal	11.0 l
Overmolded diaphragms	2.0 gal	7.6 l
<b>Noise (dBa)***</b>		
Sound Power	92 at 50 psi and 50 cpm, 99 at 120 psi and full flow	92 at 3.4 bar and 50 cpm 99 at 8.3 bar and full flow
Sound Pressure	86 at 50 psi and 50 cpm 93 at 120 psi and full flow	86 at 3.4 bar and 50 cpm 93 at 8.3 bar and full flow

<b>Inlet/Outlet Sizes</b>		
Fluid inlet - Polypropylene	3 in. ANSI/DIN flange, 8 bolts	
Fluid inlet - Aluminum	3 in.-8 npt or 3 in.-11 bspt with 3 in. ANSI/DIN flange	
Fluid inlet - Stainless Steel	3 in.-8 npt or 3 in.-11 bspt	
Air Inlet - all pumps	3/4 in. npt(f)	
<b>Wetted parts</b>		
All pumps	Materials chosen for seat, ball, and diaphragm options, <b>plus</b> the pump's material of construction - aluminum, polypropylene, or stainless steel. Aluminum pumps also have carbon-coated steel.	
<b>Non-wetted external parts</b>		
Polypropylene	stainless steel, polypropylene	
Aluminum	aluminum, coated carbon steel	
Stainless Steel	stainless steel, polypropylene or aluminum (as used in center section)	
<b>Weight</b>		
Polypropylene	200 lb	91 kg
Aluminum	150 lb	68 kg
Stainless Steel	255 lb	116 kg
<b>Notes</b>		
* <i>Maximum values with water as media at ambient temperature. Water level is approximately 3 feet above pump inlet.</i>		
** <i>Startup pressures and displacement per cycle may vary based on suction condition, discharge head, air pressure, and fluid type.</i>		
*** <i>Sound power measured per ISO-9614-2. Sound pressure was tested 3.28 ft (1 m) from equipment.</i>		
Santoprene® is a registered trademark of the Monsanto Co.		
Loctite® is a registered trademark of the Loctite Corporation.		

## Fluid Temperature Range

**NOTICE**

Temperature limits are based on mechanical stress only. Certain chemicals will further limit the fluid temperature range. Stay within the temperature range of the most-restricted wetted component. Operating at a fluid temperature that is too high or too low for the components of your pump may cause equipment damage.

Diaphragm/Ball/Seat Material	Fluid Temperature Range			
	Aluminum Pumps		Polypropylene Pumps	
Acetal	10° to 180°F	-12° to 82°C	32° to 150°F	0° to 66°C
Buna-N	10° to 180°F	-12° to 82°C	32° to 150°F	0° to 66°C
FKM Fluoroelastomer*	-40° to 275°F	-40° to 135°C	32° to 150°F	0° to 66°C
Geolast®	-40° to 150°F	-40° to 66°C	32° to 150°F	0° to 66°C
Polychloroprene overmolded diaphragm or Polychloroprene check balls	0° to 180°F	-18° to 82°C	32° to 150°F	0° to 66°C
Polypropylene	32° to 150°F	0° to 66°C	32° to 150°F	0° to 66°C
PTFE overmolded diaphragm	40° to 180°F	4° to 82°C	40° to 150°F	4° to 66°C
PTFE check balls	40° to 220°F	4° to 104°C	40° to 150°F	4° to 66°C
Santoprene® or two-piece PTFE/Santoprene diaphragm	-40° to 180°F	-40° to 82°C	32° to 150°F	0° to 66°C
TPE	-20° to 150°F	-29° to 66°C	32° to 150°F	0° to 66°C

\* The maximum temperature listed is based on the ATEX standard for T4 temperature classification. If you are operating in a non-explosive environment, FKM fluoroelastomer's maximum fluid temperature in aluminum pumps is 320°F (160°C).



# EC-DECLARATION OF CONFORMITY

EU-OVERENSSTEMMELSESERKLÆRING, EY-ILMOITUS YHTÄPITÄVYDESTÄ, CE-DECLARATION DE CONFORMITE, EG-ÜBEREINSTIMMUNGSEKTLÄRUNG, DICHIARAZIONE DI CONFORMITÀ-CE, EG-VERKLÄRING VAN OVEREENSTEMMING, EC-DECLARACÃO DE CONFORMIDADE, EC-DECLARACIÓN DE CONFORMIDAD, EG-DECLARATION OM ÖVERENSSTÄMMELSE, ΔΗΛΩΣΗ ΣΥΜΜΟΡΦΩΣΗΣ - EK

## Model

Model, Malli, Modèle, Modell, Modello, Model, Modelo, Modelo, Model, Μοντέλο

**VERDERAIR VA 80**

## Part No.

Part No., Osanro, Référence, Teile-Nr., Parte Codice, Part Nr., Peça No., Referencia, Part No., Αρ. Ανταλλακτικού

8508108, 8508109, 8508110, 8506035, 8506036, 8506996, 8508111, 8508112, 8508113, 8508114, 8508115, 8508116, 8508117, 8508118, 8508119, 8508120, 8508121, 8508122, 8508123, 8508124, 8508125, 8508126, 8508130, 8508131, 8508132, 8508136, 8508137, 8508138, 8508140, 8508142, 8508102\*, 8508103\*, 8508104\*, 8508105\*, 8508106\*, 8508107\*, 8508143\*, 8508144\*, 8508127\*, 8508128\*, 8508129\*, 8508133\*, 8508134\*, 8508135\*, 8508139\*, 8508141\* (\*Do not have ATEX approval)

## This Product Complies With The Following European Community Directives:

Dette produkt opfylder kravene i de følgende direktiver af det Europæiske Fællesskab, Tämä tuote on yhtäpitävä ministerineuvoston allamainitut direktiivin vaatimusten kanssa, Ce produit se conforme aux directives de la Communauté Européenne suivantes, Dieses Produkt entspricht den nachstehend aufgeführten Richtlinien der Europäischen Union, Questo prodotto si conforma ai seguenti direttivi della Comunità europea, Dit produkt voldoet aan de volgende richtlijnen van de Europese Gemeenschap, Este Produto Cumpre As Seguintes Directivas das Comunidades Europeias, Este producto cumple con las directivas siguientes de la Comunidad Económica Europea, Denna Product Överensstämmer Med Kraven Ministerrådets Direktiv Enligt Följande, Το Προϊόν Αυτό Έχει Κατασκευαστεί Σύμφωνα Με Τις Παρακάτω Κοινοτικές Οδηγίες :

2006/42/EC Machinery Safety Directive

94/9/EC ATEX Directive (Ex II 2 GD c IIC T4) (See Part No. above for corresponding ATEX approved pumps)

## The Following Standards Were Used To Verify Compliance With The Directives:

De følgende standarder blev anvendt som bekræftelse på at direktivernes bestemmelser overholdes, Allaolevaa standardia on käytetty vahvistamaan yhtäpitävyyttä direktiivin kanssa, Les normes suivantes ont été appliquées pour vérifier que ce produit se conforme aux directives, Die folgenden Normen garantieren die Übereinstimmung mit diesen Richtlinie, Sono state usate le seguenti norme per verificare la conformità ai direttivi, De overeenstemming met de richtlijnen werd gecontroleerd aan de hand van de volgende normen, Para Verificar A Conformidade Com As Directivas Utilizaram-se As Seguintes Normas, Las normas siguientes han sido utilizadas para verificar que el producto cumpla con las directivas correspondientes, Följande standard Har Använts För Att Bestyrka Överensstämmelse Med Direktiven, Ως Κριτήρια Τήρησης Των Οδηγιών Χρησιμοποιήθηκαν Τα Παρακάτω Πρότυπα :

EN 13463-1 ISO 12100-2

EN 13463-5 ISO 9614-2

EN 1127-1

## EC Notified Body:

EU Bemyndigede Organer, Tiedon Antava Viranomainen, Organisme Agréé, EG Anerkanntes Organ, Ente-CE notificato, EG Aangemelde Instantie, Organismo Reconhecido pela CE, Organismo Certificado por la CE, Underrådet EG Myndighet, Επίσημο Κοινοτικό Όργανο

Body #0359

## Approved By:

Attesteret Ved, Todistaa, Approuvée Par, Genehmigt Durch, Approvato da, Goedgekeurd Door, Para Aprovação, Aprobado par, Intygas Av, Εγκρίθηκε Από

F.MEERSMAN

## Date

Dato, Päriväys, Date, Datum, Data, Datum, Data, Jecha, Datum, Ημερομηνία

05Mar2012

VERDER NV  
Kontichsesteenweg 17  
B-2630 Aartselaar  
BELGIUM

PART NO. :	REV:	SHEET:
859.0250	A	1 of 1



# Customer Services/Guarantee

## CUSTOMER SERVICES

If you require spare parts, please contact your local distributor, providing the following details:

- Pump Model
- Type
- Serial Number, and
- Date of First Order.

## GUARANTEE

All VERDER pumps are warranted to the original user against defects in workmanship or materials under normal use (rental use excluded) for two years after purchase date. This warranty does not cover failure of parts or components due to normal wear, damage or failure which in the judgement of VERDER arises from misuse.

Parts determined by VERDER to be defective in material or workmanship will be repaired or replaced.

## LIMITATION OF LIABILITY

To the extent allowable under applicable law, VERDER's liability for consequential damages is expressly disclaimed. VERDER's liability in all events is limited and shall not exceed the purchase price.

## WARRANTY DISCLAIMER

VERDER has made an effort to illustrate and describe the products in the enclosed brochure accurately; however, such illustrations and descriptions are for the sole purpose of identification and do not express or imply a warranty that the products are merchantable, or fit for a particular purpose, or that the products will necessarily conform to the illustration or descriptions.

## PRODUCT SUITABILITY

Many regions, states and localities have codes and regulations governing the sale, construction, installation and/or use of products for certain purposes, which may vary from those in neighboring areas. While VERDER attempts to assure that its products comply with such codes, it cannot guarantee compliance, and cannot be responsible for how the product is installed or used. Before purchasing and using a product, please review the product application as well as the national and local codes and regulations, and be sure that product, installation, and use complies with them.

Original instructions. This manual contains English.  
Revision A, June 2012

**Austria**

Verder Austria  
Eitnergasse 21/Top 8  
A-1230 Wien  
AUSTRIA  
Tel: +43 1 86 51 074 0  
Fax: +43 1 86 51 076  
e-mail: office@verder.at

**Czech Republic**

Bia-Verder  
Vodnanská 651/6  
CZ-198 00 Praha 9-Kyje  
CZECH REPUBLIC  
Tel: +420 261 225 386  
Fax: +420 261 225 121  
e-mail: info@bia-verder.cz

**Germany**

Verder Deutschland  
Rheinische Strasse 43  
D-42781 Haan  
GERMANY  
Tel: +49 21 29 93 42 0  
Fax: +49 21 29 93 42 60  
e-mail: info@verder.de

**Poland**

Verder Polska  
ul.Ligonia 8/1  
PL-40 036 Katowice  
POLAND  
Tel: +48 32 78 15 032  
Fax: +48 32 78 15 034  
e-mail: verder@verder.pl

**South Africa**

Verder SA  
197 Flaming Rock Avenue  
Northlands Business Park  
Newmarket Street  
ZA Northriding  
SOUTH AFRICA  
Tel: +27 11 704 7500  
Fax: +27 11 704 7515  
e-mail: info@verder.co.za

**United States of America**

Verder Inc.  
110 Gateway Drive  
Macon, GA 31210  
USA  
Toll Free: 1 877 7 VERDER  
Tel: +1 478 471 7327  
Fax: +1 478 476 9867  
e-mail: info@verder.com

**Belgium**

Verder nv  
Kontichsesteenweg 17  
B-2630 Aartselaar  
BELGIUM  
Tel: +32 3 877 11 12  
Fax: +32 3 877 05 75  
e-mail: info@verder.be

**Denmark**

Verder A/S  
H.J Holstvej 26  
DK 2610 Rodovre  
DENMARK  
Tel: +45 3636 4600  
e-mail: Hans.Kragh@verder.dk

**Hungary**

Verder Hungary Kft  
Budafoke ut 187 - 189  
HU-1117 Budapest  
HUNGARY  
Tel: 0036 1 3651140  
Fax: 0036 1 3725232  
e-mail: info@verder.hu

**Romania**

Verder România  
Drumul Balta Doamnei no 57-61  
Sector 3  
CP 72-117  
032624 Bucuresti  
ROMANIA  
Tel: +40 21 335 45 92  
Fax: +40 21 337 33 92  
e-mail: office@verder.ro

**Switzerland**

Verder-Catag AG  
Auf dem Wolf 19  
CH-4052 Basel BS  
SWITZERLAND  
Tel: +41 (0)61 373 73 73  
Fax: +41 (0)61 373 73 70  
e-mail: catag@catag.com

**China**

Verder Retsch Shanghai Trading  
Room 301, Tower 1  
Fuhai Commercial Garden no 289  
Bisheng Road, Zhangjiang  
Shanghai 201204  
CHINA  
Tel: +86 (0)21 33 93 29 50 / 33 93 29 51  
Fax: +86 (0)21 33 93 29 55  
e-mail: info@verder.cn

**France**

Verder France  
Parc des Bellevues,  
Rue du Gros Chêne  
F-95610 Eragny sur Oise  
FRANCE  
Tel: +33 134 64 31 11  
Fax: +33 134 64 44 50  
e-mail: verder-info@verder.fr

**The Netherlands**

Van Wijk & Boerma Pompen B.V.  
Leningradweg 5  
NL 9723 TP Groningen  
THE NETHERLANDS  
Tel: +31 50 549 59 00  
Fax: +31 50 549 59 01  
e-mail: info@wijkboerma.nl

**Slovak Republik**

Verder Slovakia s.r.o.  
Silacska 1  
SK-831 02 Bratislava  
SLOVAK REPUBLIK  
Tel: +421 2 4463 07 88  
Fax: +421 2 4445 65 78  
e-mail: info@verder.sk

**United Kingdom**

Verder Ltd.  
Whitehouse Street  
GB - Hunslet, Leeds LS10 1AD  
UNITED KINGDOM  
Tel: +44 113 222 0250  
Fax: +44 113 246 5649  
e-mail: info@verder.co.uk